

Timetric



Vacuum Circuit Breaker Vcb

Wenzhou Shuyi Import and Export Co., Ltd. is a professional China Timetric Vacuum Circuit Breaker Vcb manufacturer and supplier, if you are looking for the best Vacuum Circuit Breaker Vcb with low price, consult us now! Our products have a good price advantage and cover most of the South America, Middle East, Africa, Southeast Asia markets.

Product Description

Timetric Vacuum Circuit Breaker Vcb Product introduction

Wenzhou Shuyi Import and Export Co., Ltd. is a professional China Timetric Vacuum Circuit Breaker Vcb manufacturer and supplier, The Vacuum Circuit Breaker Vcb the integrated and modular design, the overall structure is simple and reasonable, the use of up and down arrangement, the arc extinguishing chamber part above, interlock and operating mechanism below. Use special 3AV3 spring operating mechanism, no adjustment, stable and reliable action. The vacuum arc extinguishing chamber is arranged in the closed insulation cylinder, which improves the insulation performance and reduces the overall size.



Timetric Vacuum Circuit Breaker Vcb Parameter (Specification)

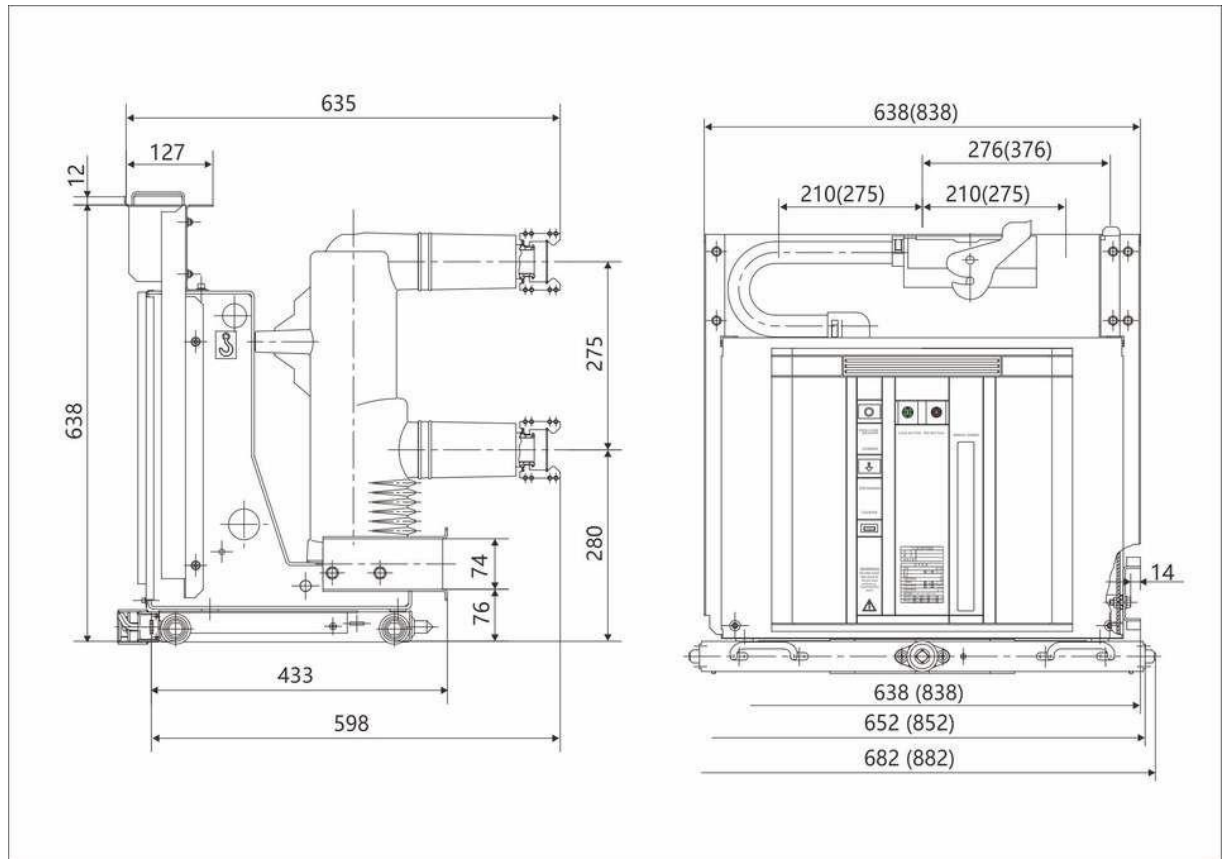
Item	Description	Unit	Data
1	Rated voltage	KV	12
2	Max. voltage	KV	12
3	Rated current	A	630/1250/2500/3150/4000/5000
4	Rated short circuit breaking current	KA	20/25/31.5/40
5	Rated short circuit making current	KA	50/63/80
6	Rated peak withstand current	KA	50/63/80
7	4S Rated withstand current	KA	20/25/31.5

Wenzhou Shuyi Import and Export Co., Ltd.

Phone:+86-13736382016

E-mail:timetric8@gmail.com

8	Rated insulation level	Power frequency voltage(when losing a circuit)	KV	Dreaker 48
		Impulse withstand voltage(when losing a circuit)		Dreaker 85
9	Rated operating sequence			OC-0.3s-CO-180S-CO
10	Mechanical life		Times	20000
11	Rated short circuit current breaking time		Times	274
12	Rated close brake voltage of operating machnie		V	110,220
13	Rated break brake voltage of operating machnie		V	110,220
14	Contact stroke		mm	13±1
15	Exceed range(the compress length of contact sping)		mm	3.5±0.5
16	Different period of three-phase break and close break		ms	≤2
17	The jump time of contact close break		ms	≤2
18	Average break speed		m/s	1.1~1.7
19	Average closing speed		m/s	0.6~1.1
20	Opening time	Ubder max.operating voltage	S	≤0.05
		Under min.operating voltage		≤0.08
21	Closing time		s	0.1
22	Resistance of each phase main loop		μΩ	630≤50 1250≤45/ 1600-2500≤40
23	Contacts limit ersion		mm	3



Timetric Vacuum Circuit Breaker Vcb Corporate culture:

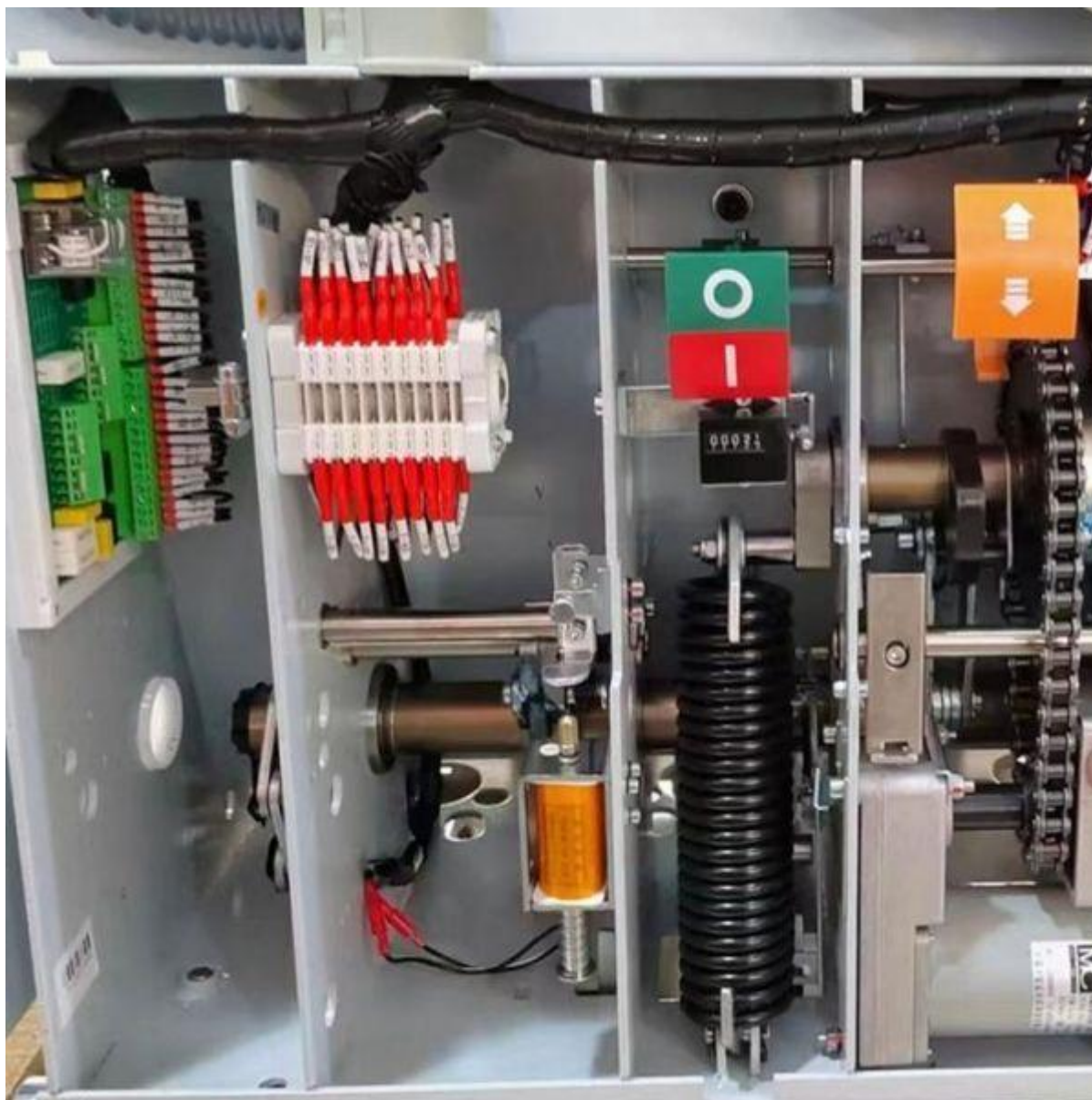
Development and innovation is the foundation of Timetric

Quality first is the life of Timetric

Standardized management is the foundation of Timetric

Customer satisfaction is the pursuit of Timetric

Timetric Vacuum Circuit Breaker Vcb Details



Product display

