

# Timetric



## Indoor Medium Voltage Fixed Vacuum Circuit Breaker

You are welcomed to come to our factory to buy the latest selling, low price, and high-quality Timetric Indoor Medium Voltage Fixed Vacuum Circuit Breaker. With our advanced business philosophy, systematic management mode and production equipment, we have established a complete set of research and development, production, sales and after-sales service system and quality management system.

### Product Description

#### Timetric Indoor Medium Voltage Fixed Vacuum Circuit Breaker Introduction

You are welcomed to come to our factory to buy the latest selling, low price, and high-quality Timetric Indoor Medium Voltage Fixed Vacuum Circuit Breaker. Timetric pays attention to science and technology investment, talent training, and introduces internationally advanced sheet metal flexible production lines, CNC laser cutting equipment, and robot automatic welding equipment to maximize the production and technical requirements of customers for non-standard products.

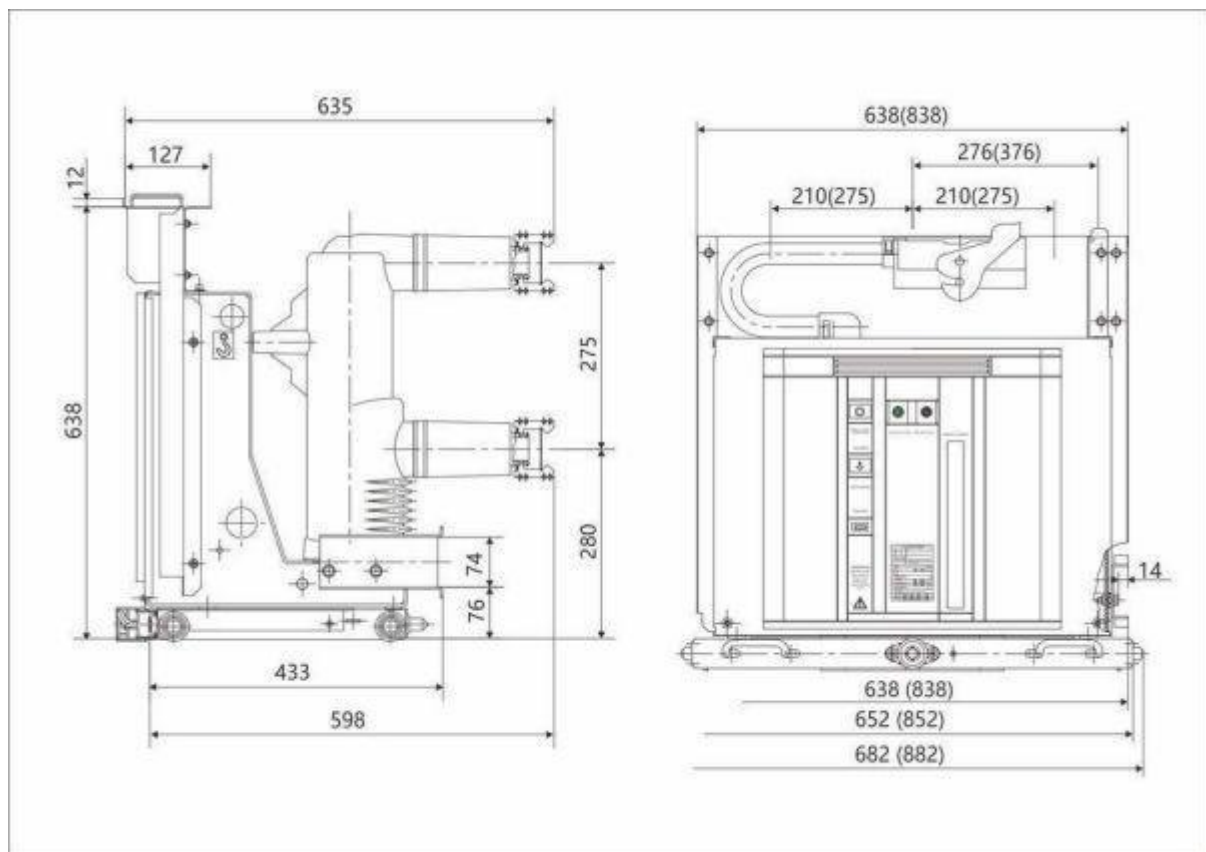
Over the years, with strong technical strength, high-quality and mature products, and perfect service system, we have achieved rapid development, and the technical indexes and practical effects of its products have been fully affirmed and praised by the majority of users, and obtained the certificate of high-quality products, and have become a well-known enterprise in the industry.



**Timetric Indoor Medium Voltage Fixed Vacuum Circuit Breaker Parameter (Specification)**

NO.	ITEM	Unit	Parameter
1	Rated Voltage	KV	12
2	Rated Lighting Impulse Voltage tolerance	KV	75
3	1 min Frequency Voltage	KV	42
4	Frequency tolerance of the secondary circuit voltage (1 min)	V	2000
5	Rated short-circuit breaking current breaking number	Times	50
6	1min power frequency	KA	42/48
7	Lightning impulse withstand voltage (peak)		75/85

8	Rated short-circuit breaking current	KA	20/25	31.5	40
9	Rated current	A	630 1250	630/1250	1250/1600
				1600/2000	2000/2500
				2500/3150	3150/4000
10	Rated thermal stability of current(RMS)	kA	20/25	31.5	40
11	Dynamic Stability rated current(peak)	kA	63	80	100
12	Rated short-circuit closing current(peak)	kA	63	80	100
13	rated operating sequence		O-0.3s-CO-180s-CO O-180s-CO-180s-CO		
14	Rated a single/back-to-back electric current breaking device group	A	630/400	800/400(40KA)	
15	Mechanical life	Times	10000		



- a) Ambient air temperature shall not exceed +40oC, the lower limit; -25oC,
- b) The altitude is not more than 2000M
- c) humidity; The daily mean value of relative humidity is less than 95% and the monthly mean value is less than 90%. The average daily vapor pressure is not more than 2. 2KPA, monthly mean not greater than 1.8KPA

Wenzhou Shuyi Import and Export Co., Ltd.

Phone:+86-13736382016

E-mail:timetric8@gmail.com

- d) The surrounding air should not be significantly polluted by corrosive or flammable gases and water vapor
- e) No regular strenuous exercise
- f) When the contactor is running, the dip Angle between the installation plane and the horizontal shall not be greater than 5°
- g) Beyond the requirements of the above conditions, the user and the manufacturer shall agree.

### **Timetric Indoor Medium Voltage Fixed Vacuum Circuit Breaker Product maintenance:**

Normally transported circuit breakers should be maintained regularly to remove the dust on the surface of the insulating parts, and the vacuum degree of the Indoor Medium Voltage Fixed Vacuum Circuit Breaker extinguisher chamber should be checked by the power frequency voltage resistance method. Users should not arbitrarily change the use of electrical components inconsistent with the original model. Operators should have a preliminary understanding of circuit breaker performance and basic knowledge of installation, adjustment and maintenance, record the problems in operation, notify the manufacturer if necessary, and send personnel to help solve the problems.

### **Timetric Indoor Medium Voltage Fixed Vacuum Circuit Breaker Company Highlight**

1. Handquartered: Yueqing City, Zhejiang China
2. Land Occupation: more than 15000m<sup>2</sup>;
3. Human Resource: 120 to 150 employees
4. Founded Year: since 2006
5. Main Product: 10kv to 35kv Power transformer, VCB and Substation.