

Timetric



High Voltage Side Mounted VCB

As the professional manufacture, we would like to provide you high quality Timetric High Voltage Side Mounted VCB. It was sold more than 100 countries such as South America, Middle East, Africa, Southeast Asia markets and so on.

Product Description

Timetric High Voltage Side Mounted VCB Introduction

As the professional manufacture, we would like to provide you high quality Timetric High Voltage Side Mounted VCB. "High Voltage Side Mounted VCB" because of its arc extinguishing medium and the insulation medium of the contact gap after arc extinguishing are high vacuum; It has the advantages of small size, light weight, suitable for frequent operation, arc extinguishing without maintenance, and is widely used in distribution network. Vacuum circuit breaker is the indoor power distribution device in the 3-10kV, 50Hz three-phase AC system. It can be used for the protection and control of electrical equipment in industrial and mining enterprises, power plants and substations. It is especially suitable for the use places requiring no oil, less maintenance and frequent operation. High Voltage Side Mounted VCB can be configured in mid-cabinet, double-layer cabinet or fixed cabinet to control and protect high-voltage electrical equipment. For the High Voltage Side Mounted VCB structure and model definition, how much do you know? Together with Tongyida Xiaobian have a look.

Timetric



Timetric High Voltage Side Mounted VCB Parameter (Specification)

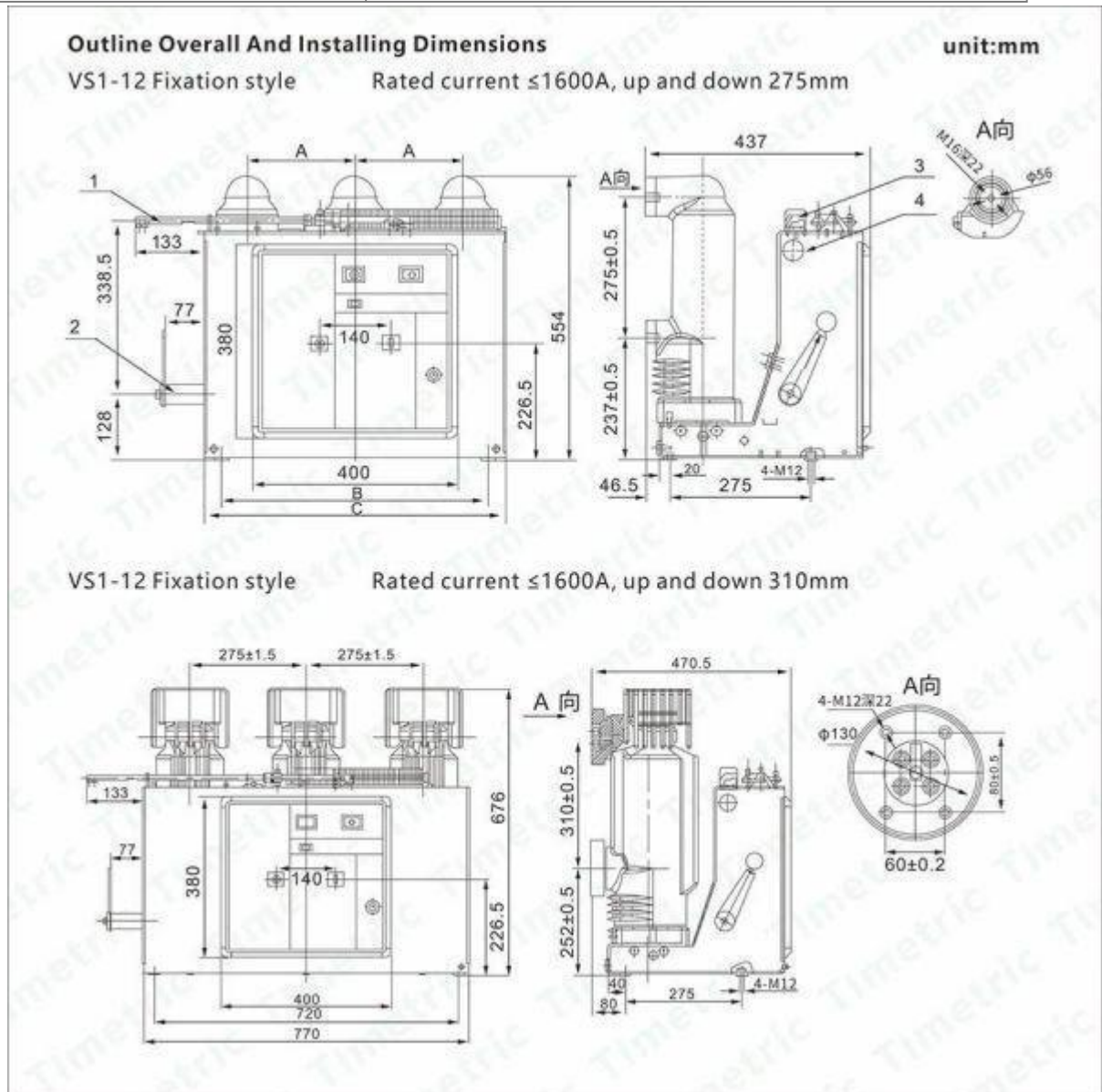
| | |
|-----------------|-------------------------------|
| Colour | Silver gray、Red |
| Shape | Combination |
| Size | customized |
| Rated Voltage | 12/24KV |
| Rated Current | 630A, 1250A,2000A,3150A,4000A |
| Number Of Poles | 3 |
| Characteristic | Safe and Stable |
| Material | Iron, Red copper, Epoxy resin |

Wenzhou Shuyi Import and Export Co., Ltd.

Phone:+86-13736382016

E-mail:timetric8@gmail.com

| | |
|-------------------|------------------|
| Surface Treatment | Plastic spraying |
|-------------------|------------------|



Timetric High Voltage Side Mounted VCB PROFESSIONAL

1. Have 31 years experience in electrical . More than 15 engineer in factory,
2. We divide sales areas for salesmen to better serve customer :Europe/Russian/Africa...

Timetric High Voltage Side Mounted VCB High Quality (Q&C)

1. We set up advanced assembly line, test center, R&D Center and quality control center.
2. We have got the certificates of ISO9011, CE, SEMKO, KEMA, Rohs, UL...

Timetric High Voltage Side Mounted VCB R&D

1. We have strong R&D capability
2. New designed products are developed every year by R&D

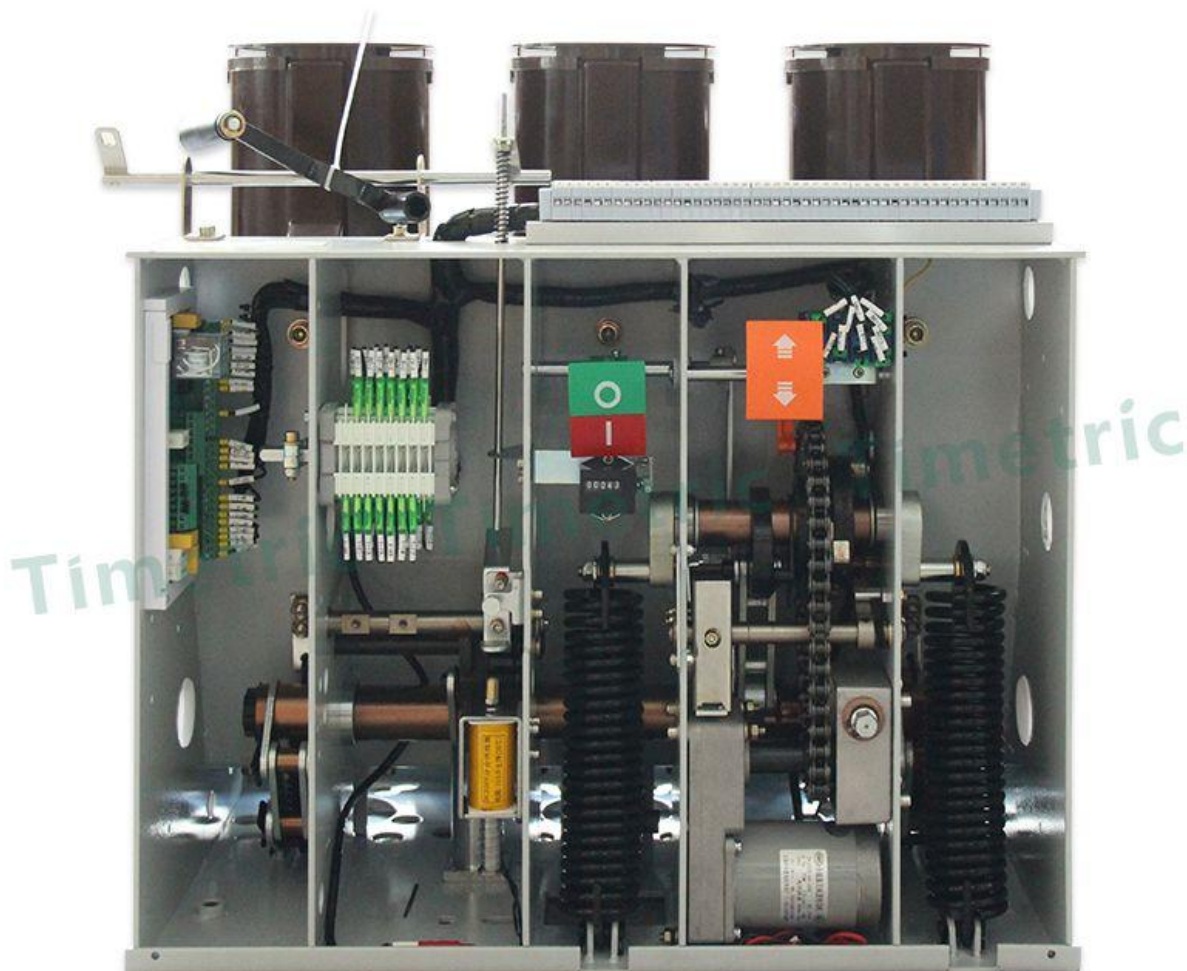
Wenzhou Shuyi Import and Export Co., Ltd.

Phone: +86-13736382016

E-mail: timetric8@gmail.com

Timetric High Voltage Side Mounted VCB Details

Timetric



Timetric

www.timetricele.com

Timetric



Wenzhou Shuyi Import and Export Co., Ltd.
Phone:+86-13736382016
E-mail:timetric8@gmail.com