

Timetric



Embedded Poles Type Vacuum Circuit Breaker

Find a huge selection of Embedded Poles Type Vacuum Circuit Breaker from China at Wenzhou Shuyi Import and Export Co., Ltd. Provide professional after-sales service and the right price, looking forward to cooperation. We look forward to becoming your long-term partner in China.

Product Description

Timetric Embedded Poles Type Vacuum Circuit Breaker Introduction

Find a huge selection of Embedded Poles Type Vacuum Circuit Breaker from China at Wenzhou Shuyi Import and Export Co., Ltd. "Embedded Poles Type Vacuum Circuit Breaker" because of its arc extinguishing medium and the insulation medium of the contact gap after arc extinguishing are high vacuum; It has the advantages of small size, light weight, suitable for frequent operation, arc extinguishing without maintenance, and is widely used in distribution network. Vacuum circuit breaker is the indoor power distribution device in the 3-10kV, 50Hz three-phase AC system. It can be used for the protection and control of electrical equipment in industrial and mining enterprises, power plants and substations. It is especially suitable for the use places requiring no oil, less maintenance and frequent operation. Circuit breakers can be configured in mid-cabinet, double-layer cabinet or fixed cabinet to control and protect high-voltage electrical equipment. For the vacuum circuit breaker structure and model definition, how much do you know? Together with Tongyida Xiaobian have a look.



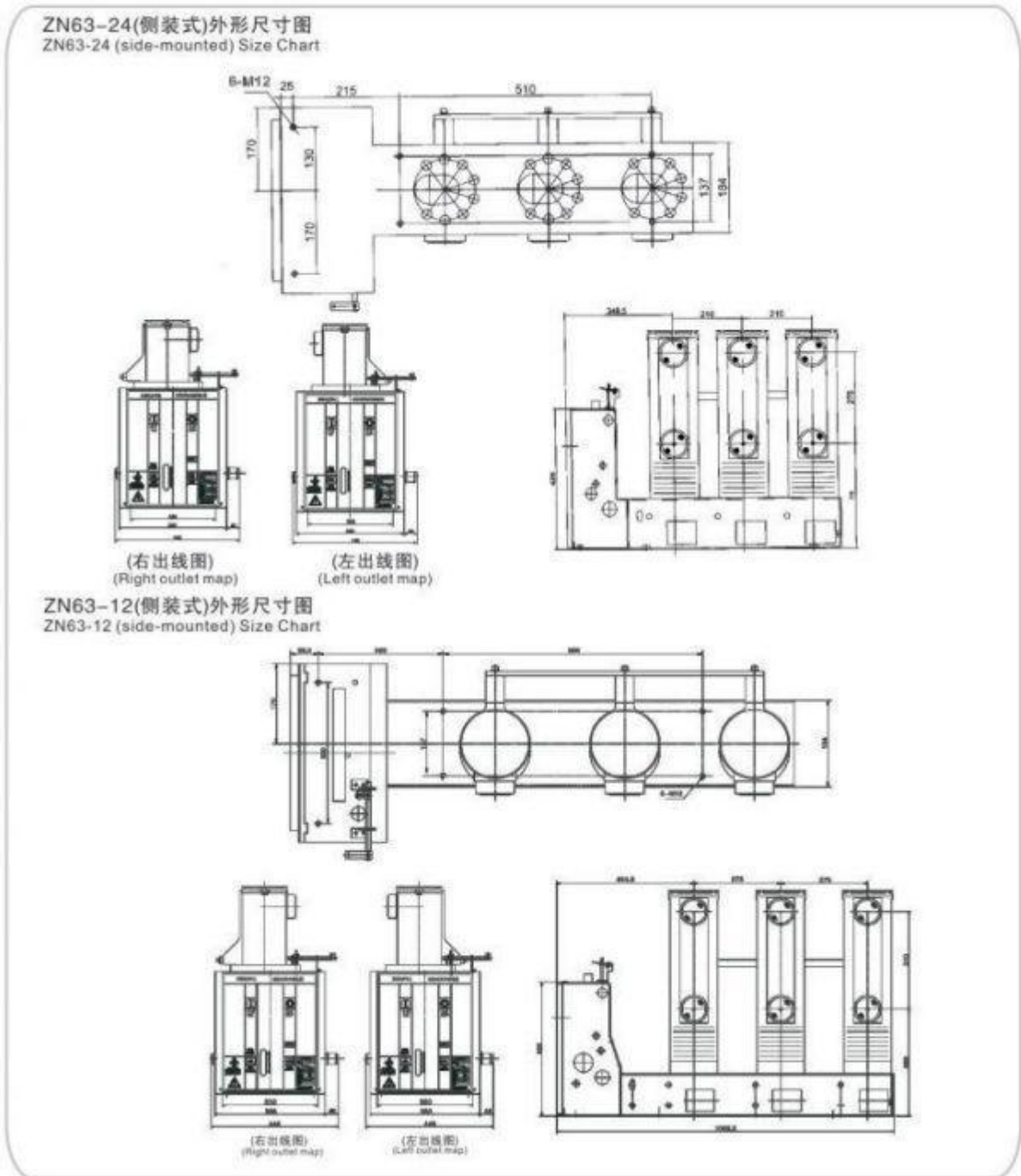
Timetric Embedded Poles Type Vacuum Circuit Breaker Parameter (Specification)

Item	Description	Unit	Data
1	Rated voltage	KV	12
2	Max. voltage	KV	12
3	Rated current	A	630/1250/1600
4	Rated short circuit breaking current	KA	20/25/31.5
5	Rated short circuit making current	KA	50/63/80
6	Rated peak withstand current	KA	50/63/80
7	4S Rated withstand current	KA	20/25/31.5

8	Rated insulation level	Power frequency voltage(when losing a circuit)	KV	Dreaker 42
		Impulse withstand voltage(when losing a circuit)		Dreaker 75
9	Rated operating sequence			OC-0.3s-CO-180S-CO
10	Mechanical life		Times	10000
11	Rated short circuit current breaking time		Times	50
12	Rated close brake voltage of operating machnie		V	110,220
13	Rated break brake voltage of operating machnie		V	110,220
14	Contact stroke		mm	11±1
15	Exceed range(the compress length of contact sping)		mm	3.5±0.5
16	Different period of three-phase break and close break		ms	≤2
17	The jump time of contact close break		ms	≤2
18	Average break speed		m/s	0.9~1.2
19	Average closing speed		m/s	0.5~0.8
20	Opening time	Ubder max.operating voltage	S	≤0.05
		Under min.operating voltage		≤0.08
21	Closing time		s	0.1
22	Resistance of each phase main loop		μΩ	630≤50 1250≤45 1600≤40
23	Contacts limit ersion		mm	3

Timetric Embedded Poles Type Vacuum Circuit Breaker Structure of vacuum circuit breaker

The Embedded Poles Type Vacuum Circuit Breaker consists of a vacuum arc extinguishing chamber, a operating mechanism, a transmission mechanism and a chassis. Vacuum arc extinguishing is composed of static contact, moving contact, shielding cover, shell, bellows, protective riser, conductive rod, end cover plate, etc., as shown in the figure. The disconnect distance between the active and static contacts of 10kV vacuum circuit breaker is generally 10~15mm



Timetric Embedded Poles Type Vacuum Circuit Breaker Details

