

Timetric



630A Circuit Breakers

You are welcomed to come to our factory to buy the latest selling, low price, and high-quality Timetric 630A Circuit Breakers. We look forward to cooperating with you. With perfect enterprise management, with excellent quality and perfect service, trusted by customers at home and abroad. We look forward to long-term cooperation with you.

Product Description

Timetric 630A Circuit Breakers Product introduction

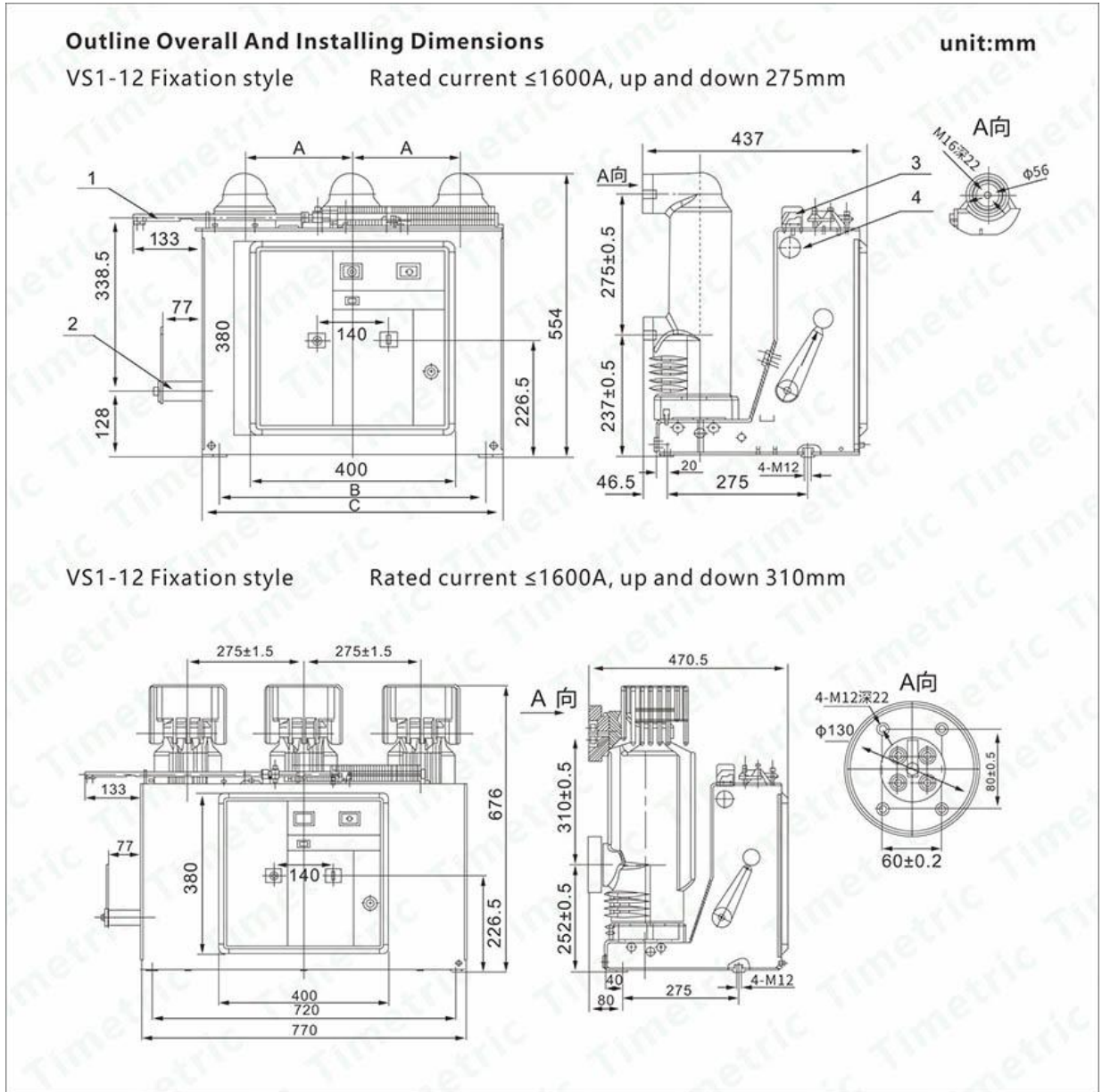
You are welcomed to come to our factory to buy the latest selling, low price, and high-quality Timetric 630A Circuit Breakers. The 630A Circuit Breakers adopts the integrated and modular design, the overall structure is simple and reasonable, the use of up and down arrangement, the arc extinguishing chamber part above, interlock and operating mechanism below. Use special 3AV3 spring operating mechanism, no adjustment, stable and reliable action. The vacuum arc extinguishing chamber is arranged in the closed insulation cylinder, which improves the insulation performance and reduces the overall size.

Timetric



Timetric 630A Circuit Breakers Parameter (Specification)

Colour	Silver gray、Red
Shape	Combination
Size	customized
Rated Voltage	12/24KV
Rated Current	630A, 1250A,2000A,3150A,4000A
Number Of Poles	3
Characteristic	Safe and Stable
Material	Iron, Red copper, Epoxy resin
Surface Treatment	Plastic spraying



Timetric 630A Circuit Breakers Operating conditions

Temperature: $-10^{\circ}C \sim +40^{\circ}C$ Relative humidity: Daily mean relative humidity not more than 95%; monthly mean relative humidity not more than 90% Seismic intensity: Not more than Level 8. Saturated vapor pressure: daily mean pressure not more than 2.2kPa; monthly mean pressure not more than 1.8Kpa Altitude: ≤ 1000 m (Otherwise in special cases) This device should be installed in a place free of fire, explosion, severe dirt, chemical erosion and severe vibration.