

Timetric



36 KV 3 Phase Vacuum Circuit Breaker

You can rest assured to buy Timetric 36 KV 3 Phase Vacuum Circuit Breaker from our factory. The company adopts a modern management concept, adhere to the quality of survival, integrity and development, and gradually ascend to the globalization of the competitive platform. We look forward to your long-term cooperation with our company.

Product Description

Timetric 36KV 3 phase vacuum circuit breaker Structure features

You can rest assured to buy Timetric 36 KV 3 Phase Vacuum Circuit Breaker from our factory.

1.This model integrate operation mechanism with the circuit breaker, well arranged, looking beautiful and compact.

2.This model can be operated frequently, able to break and reclose fast many times.



Timetric 36KV 3 phase vacuum circuit breaker Parameter (Specification)

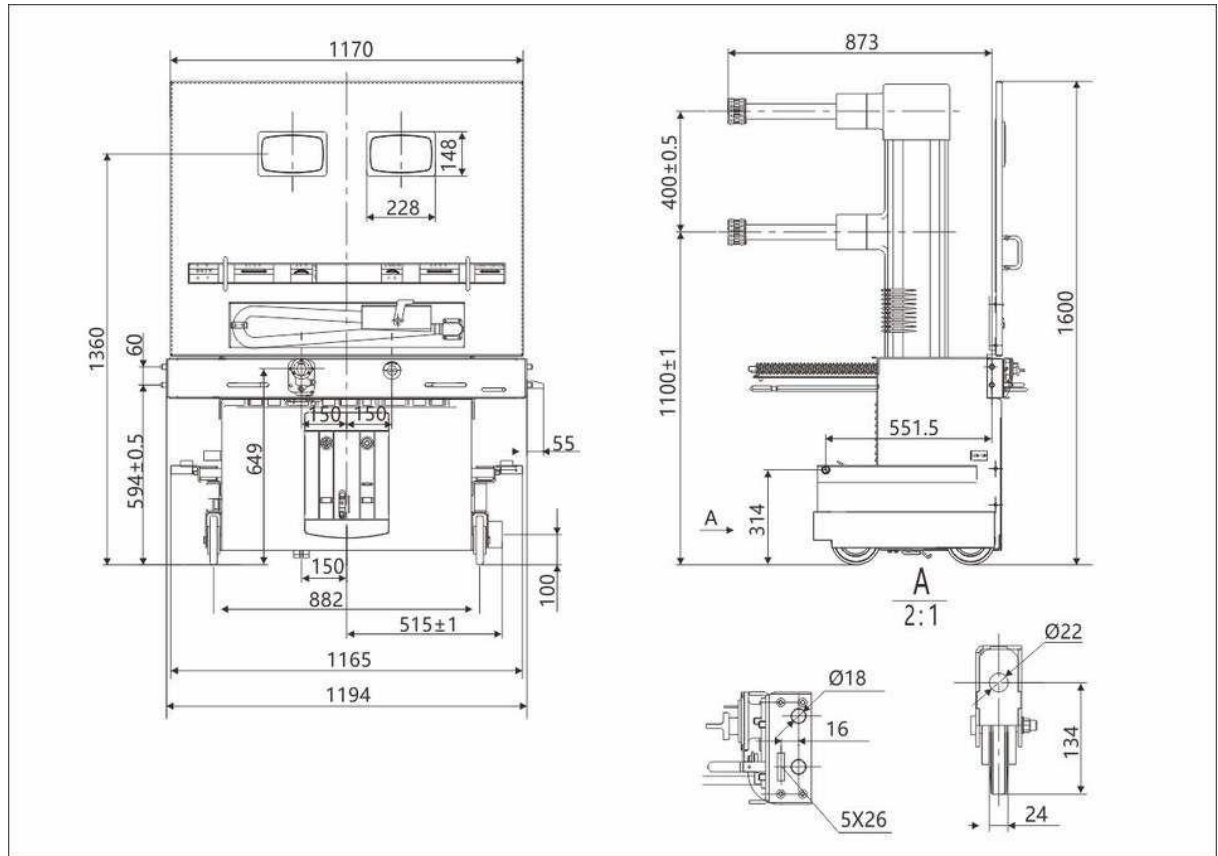
Serial number	Name	Unit	Data
1	Overtravel	mm	3.5±0.5
2	Three-phase opening and closing in different periods	ms	≤2
3	Bounce time of closing contact	ms	≤2
4	Contact pressure of closing contact	N	20kA
			25kA
			31.5kA
			40kA
			2000±200
			2400±200
			3100±200
			4750±200
5	Average opening speed	m/s	1.2±0.2
6	Average closing speed	m/s	0.65±0.2

Rated voltage			12kV		
Rated frequency			50HZ/60HZ		
Rated lightning impulse test voltage/breaking			75/85kV(peak value)		
Rated 1min power frequency withstand voltage/breaking			42/48kV(valid value)		
Model	Rated current	Rated breaking current	Rated short-circuit making current (peak value)kA	Rated short-circuit duration	Mechanical life
ZN85-40.5/ 31.5-300	630,1250	20/25	50/63	4	20000
	1250,1600 2000,2500	31.5	80	4	20000
	1250,1600 2000,2500 3150	40	100	4	20000
	4000	40/50	100/125	4	20000

Timetric 36KV 3 phase vacuum circuit breaker Use environment

- 1) Ambient air temperature shall not exceed +40oC, the lower limit; -25oC,
- 2) The altitude is not more than 2000M
- 3) Humidity; The daily mean value of relative humidity is less than 95% and the monthly mean value is less than 90%. The average daily vapor pressure is not more than 2. 2KPA, monthly mean not greater than 1.8KPA
- 4) The surrounding air should not be significantly polluted by corrosive or flammable gases and water vapor
- 5) No regular strenuous exercise

- 6) When the contactor is running, the dip Angle between the installation plane and the horizontal is not more than 5°
- 7) If the requirements exceed the above conditions, the user and the manufacturer shall reach an agreement.



Timetric 36KV 3 phase vacuum circuit breaker Details



